

## Operating Instructions:

### Power On/Off and Changing Modes:

- Press and release button to turn the light on.
- While the light is on, pressing and releasing the button subsequent times will cycle through the low, medium, and high settings.
- Once the light has been on a setting for 10 seconds, it will record the setting to memory and this will be the default setting next time you use the light.
- To manually turn the light off, hold the button for 1 second.
- The light will flash 3 times and automatically turn itself off after approximately 5 hours.

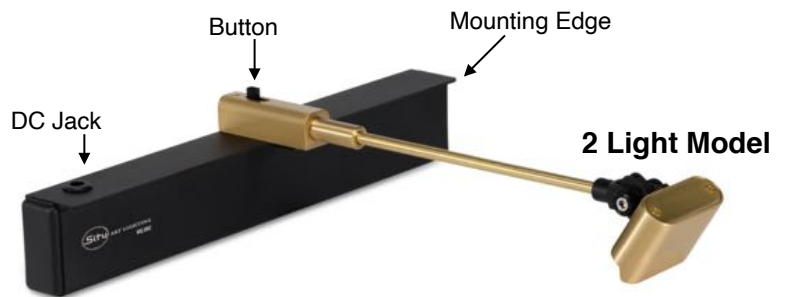
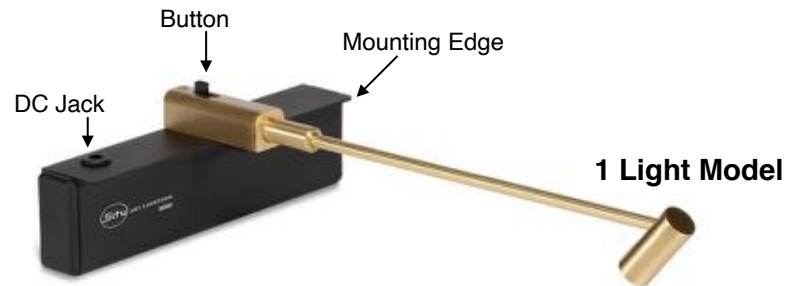
### Runtimes:

	Low	Medium	High
1 Light Runtimes:	45 hours	30 hours	20 hours
2 Light Runtimes:	45 hours	25 hours	15 hours

### Charging:

- Plug supplied charger into wall outlet and connect to light via DC jack.
- **Only use the supplied charger** with this light. Using any device other than the one supplied will damage the light and void the warranty.
- Red LED on charger indicates it's currently charging.
- Green LED or no LED indicates charger has completed its charge cycle.
- Light will charge in 4.5 hours or less.
- Unplugging the light from the charger will not harm it but for best performance please allow charger to complete cycle.
- Your Rechargeable Micro Series will flash 10 times and turn itself off when it needs to be charged. If light fails to run for 5 hours, connect to charger.
- For best performance, please charge your light before first use.

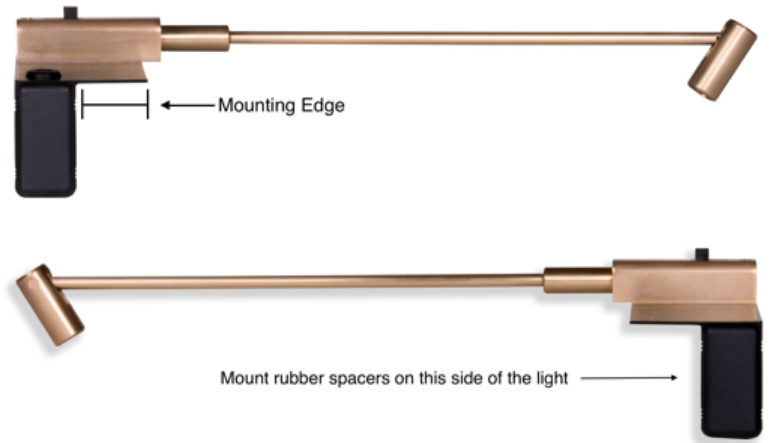
**\* For best long-term performance, fully charge light if not to be used for more than a month.**



**SEE REVERSE SIDE FOR FURTHER INSTRUCTIONS  
AND PRODUCT PRECAUTIONS**

## Placing Rechargeable Micro Series on Artwork:

- **Ensure that artwork is securely mounted and can support the weight of the light.**
- This light is designed to rest on top of frames, artwork, and display cases.
- Simply place the light behind the artwork such that the flat, horizontal panel (Mounting Edge) rests atop the edge of your subject.
- If light has difficulty balancing on top of frame, attach the included adhesive backed rubber spacers. To apply, remove white paper lining and adhere where shown (right). It is recommended you first degrease the area where they'll be applied by using a paper towel and rubbing alcohol.



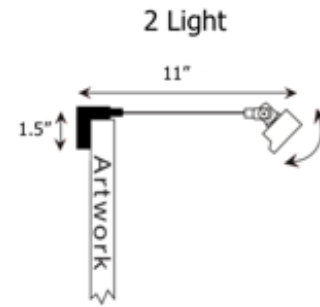
## Head Adjustment:

- Once mounted, the head of the light can be pivoted to better align the light output to your artwork.
- We recommend adjusting the head so the beam of light begins at the top of your artwork.

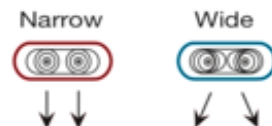


## LED Adjustment (Light Placement) - 2 Light Model Only

1. The 2 outside LEDs within the light head pivot to optimize the placement of light for the specific dimensions of your artwork.
2. To adjust the LEDs, simply use your finger to push them towards the middle or outside of the light head.
3. For greater vertical coverage, push the two outside LEDs together (as shown in A below).
4. For greater horizontal coverage, push the two outside LEDs apart (as shown in B below).
5. Experiment with placement until you find your preferred setting.



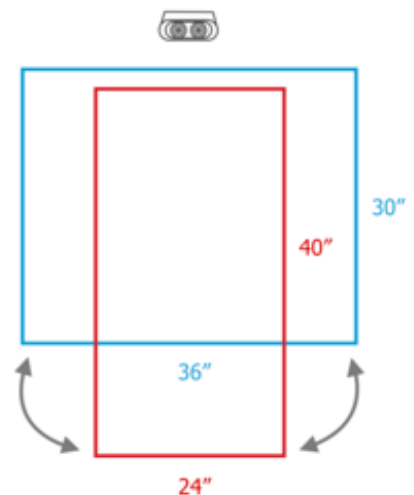
### Adjustment:



**A.**  
Together for Narrow Beam



**B.**  
Apart for Wide Beam



**OPERATING WARNINGS:**

- Do not operate this light while attached to the charger. Doing so could result in damage to your light. Unplug your light from the charger before use.
- **AVOID EYE INJURY** - Do not stare directly into beam or shine it directly into anyone's face. Doing so could cause retinal damage.
- Never connect the light to any item other than the supplied charger. Doing so may damage the product and void your warranty, and could possibly result in fire, electric shock or other bodily injury.
- Use in a dry and safe location. Our products are meant for indoor and dry locations only.
- Inspect your light carefully before use. Product can become damaged in shipping. Contact us if you have any of the following signs of a defective product: cuts or damage to electrical cord, damage to light head, or signs of damage on any part of the product.

**PRECAUTIONS:**

- To avoid risk of damage to eyesight, never look directly into the beam when the light is on, nor shine it directly into another person's eyes. • Any battery may rupture or explode if put in a fire or otherwise exposed to excessive heat. To avoid risk of injury, do not expose this light to fire or excessive heat. • Never try to disassemble or repair the charger or this light. Electric shock may result. Contact us for warranty and repairs.
- Never alter the plug on your charger. If the plug will not fit into the available outlet, have a proper outlet installed by a qualified electrician. Trying to plug into an improper outlet can result in shock. • Any battery may leak harmful chemicals which may damage skin, clothing, or the inside of the light. To avoid risk of injury, do not let any material leaked from a battery come in contact with eyes or skin. In the event of skin contact, wash the affected area immediately and obtain prompt medical attention. • Never allow liquids to spill on the charger or the light and do not charge outdoors, as the unit is not waterproof. Exposure to rain or other liquid could result in fire or electric shock. • Do not charge or operate the light near flammable materials. • Do not charge battery in gas-tight enclosures as gas may be emitted under certain conditions and can explode if concentrated and confined. • Do not operate the light while connected to the charger. • Never connect the light to any item other than the supplied charger. Doing so may damage the product and void your warranty, and could possibly result in fire, electric shock or other bodily injury. • Exposure of the light and accessories to excessively high temperatures above 122°F (50°C) can heat-damage plastic parts, electronic components and the batteries. • Never store this light in temperatures below -4°F (-20°C). Doing so may damage the light's electronic components. • Recharge the Battery at temperatures: 32°F to 122°F (0°C to 50°C) to avoid hazardous gas venting from the battery cells and potentially reduced battery capacity. • Never use a charger with a damaged or worn power cord or plug. This could result in electric shock, burns or fire. Contact us to obtain a replacement. • Unplug the charger from the wall and light before attempting any cleaning in order to avoid the risk of electric shock.

**PROTECTION OF CHILDREN:**

- This product is not designed, intended or recommended for children.
- Never allow children to play with, or otherwise handle or operate, the light, its battery or charging apparatus, as injury to themselves or others could result.
- Keep all accessories and components out of the reach of small children. Small parts, in particular, might present a choking hazard to children.